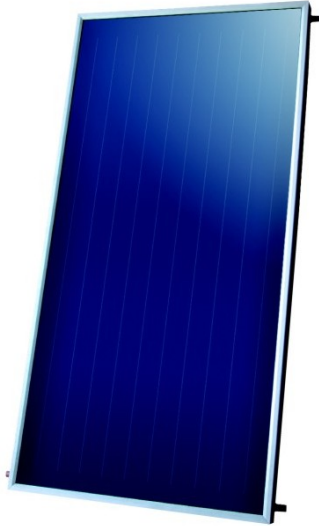


## P-G/0.6-L/JS-1.8-2-E-Z



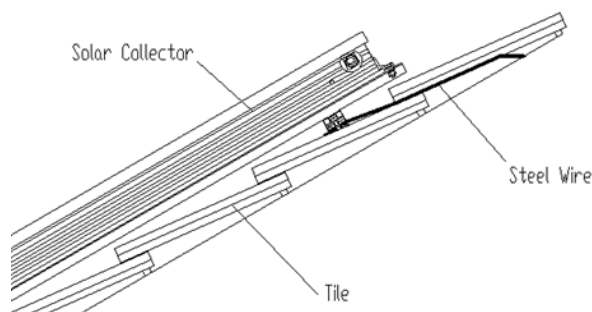
### Description

The main elements of roof top solar heat collector include absorber, piping, housing and glass covering. Vanward roof type solar collectors are one of the industry's highest rated collectors in China, which offer you lasting heating convenience for hot water heating and central heating backup. Thanks to the top standard of quality and robust contracture, our products allow you to use the energy of the sun over particularly long time.

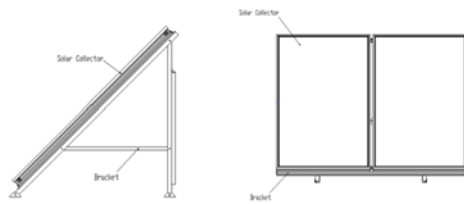
### Features

1. Elegant design and high efficiency
2. Frame thickness: 1.2mm
3. Absorber imported from Germany BlueTec
4. Optimal heat absorption and overall efficiency: High absorption of solar radiation ( $\geq 95\%$ ) and at the same time low emission of infrared radiation ( $\leq 5\%$ ).
5. The absorber of China roof type solar collector is designed using the method of laser welding, which allows for permanent and durable connection of copper and aluminum elements of absorber.
6. The cover of the housing is made with structural glass offering high permeability to solar radiation ( $\geq 91\%$ ).
7. Copper pipes, firmly welded.
8. Roof top solar heat collector can withstand 600KPa working pressure
9. Roof type solar collector has been subject to quality texts which are confirmed by Solar KEYMARK certificate.

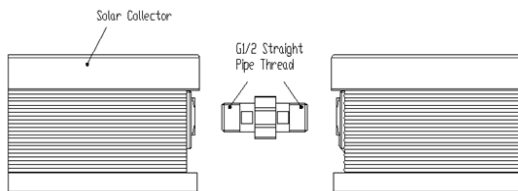
### Product Drawing



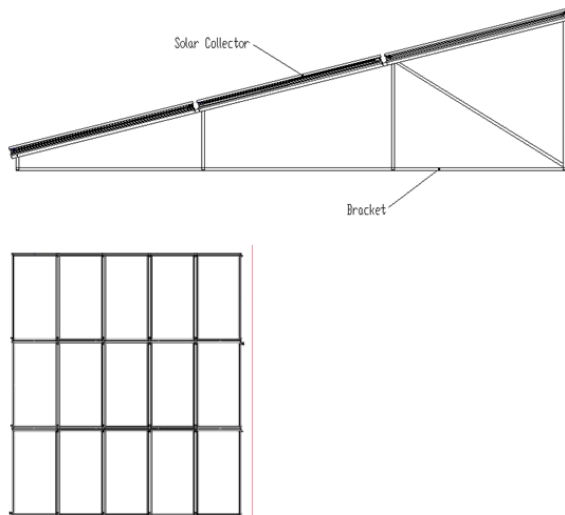
Pic.1 Solar Collector installed on the roof with sloping sides



Pic.2 Solar Collector installed on the flat roof



Pic.3 Solar Collector Connection Diagram



Pic.4 Solar Collector Project Installation Diagram

**Parameter of China Roof Type Solar Collector**

Outline Dimension	2000mm×1000mm×92mm
Absorber Thickness	0.3mm
Cover	3.2mm
Bottom Insulation	45mm
Side Insulation	15mm
Header Tube	Φ22×0.5mm
Branch Pipe	Φ8×0.6mm
Stagnation Temperature	145.6℃
Collector Area	2.0m <sup>2</sup>
Aperture Area	1.79m <sup>2</sup>
Liquid Capacity	1.2L



Guangdong Vanward New Electric CO., LTD

---

Max. Operation Pressure	600KPa
Net Weight	35kg